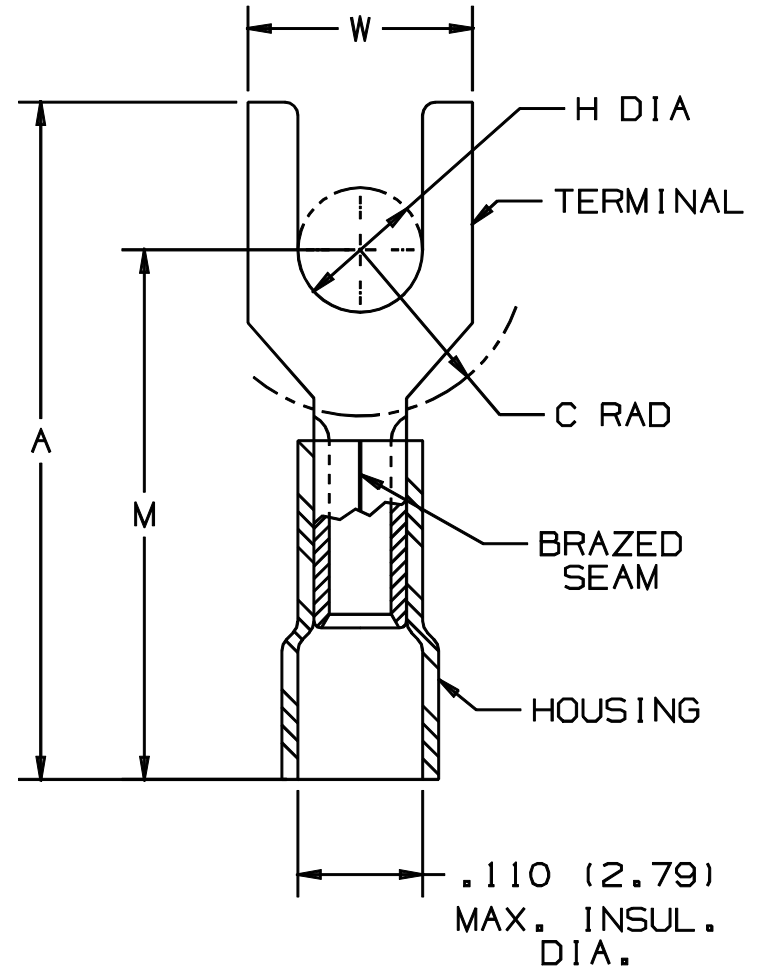


THIS COPY IS PROVIDED ON A RESTRICTED BASIS AND IS NOT TO BE USED IN ANY WAY DETRIMENTAL TO THE INTERESTS OF PANDUIT CORP.

PANDUIT PART NUMBER	STUD SIZE	DIMENSIONS in.				
		A $\pm .030$	W $\pm .010$	C $\pm .015$	M $\pm .020$	H $\pm .010$
PV22-4F	#4	.67 (17.02)	.20 (5.08)	.21 (5.33)	.56 (14.22)	.12 (3.05)
PV22-6F	#6	.76 (19.30)	.25 (6.35)	.26 (6.60)	.62 (15.75)	.14 (3.56)

NOTES:

- RECOMMENDED FOR:
  - 600V. MAX. VOLTAGE RATING
  - #26-22 AWG SOLID OR STRANDED COPPER WIRE
  - 221° F (105° C) MAX. TEMP. RATING
- MATERIAL:
  - STAMPING - .020 (0.51) THK COPPER, TIN PLATED
  - HOUSING - VINYL, YELLOW
- PACKAGE QTY: STD. PKG. -C=100  
BULK PKG. -M=1000
- DIMENSIONS IN BRACKETS ARE IN MILLIMETERS
- INSTALLATION TOOLS: CT-520, CT-1525



A41232\_07

07	1/01	KMD		CAD FILE SPEC. WAS N41232AA_PCD_06					TINLEY PARK, ILLINOIS		
06	5/99	JKD		ADDED CT-1525 TOOL	07632						
05	10/94	MS	RLS	UPDATE NOTES AND DIMENSIONS	02510	LCA	TFKE	#26-22 BARREL VINYL INSULATED FORK, .110 (2.79) MAX. WIRE INSUL. DIA.			
04	7-88	DW		REDRAWN WITH REVISIONS		LCA	JRB				
REV	DATE	BY	CHK	DESCRIPTION	ECN	CUST	PM	DRAWN BY DAW	CHK'D CH	SCALE NONE	DRAWING NO. 41232A